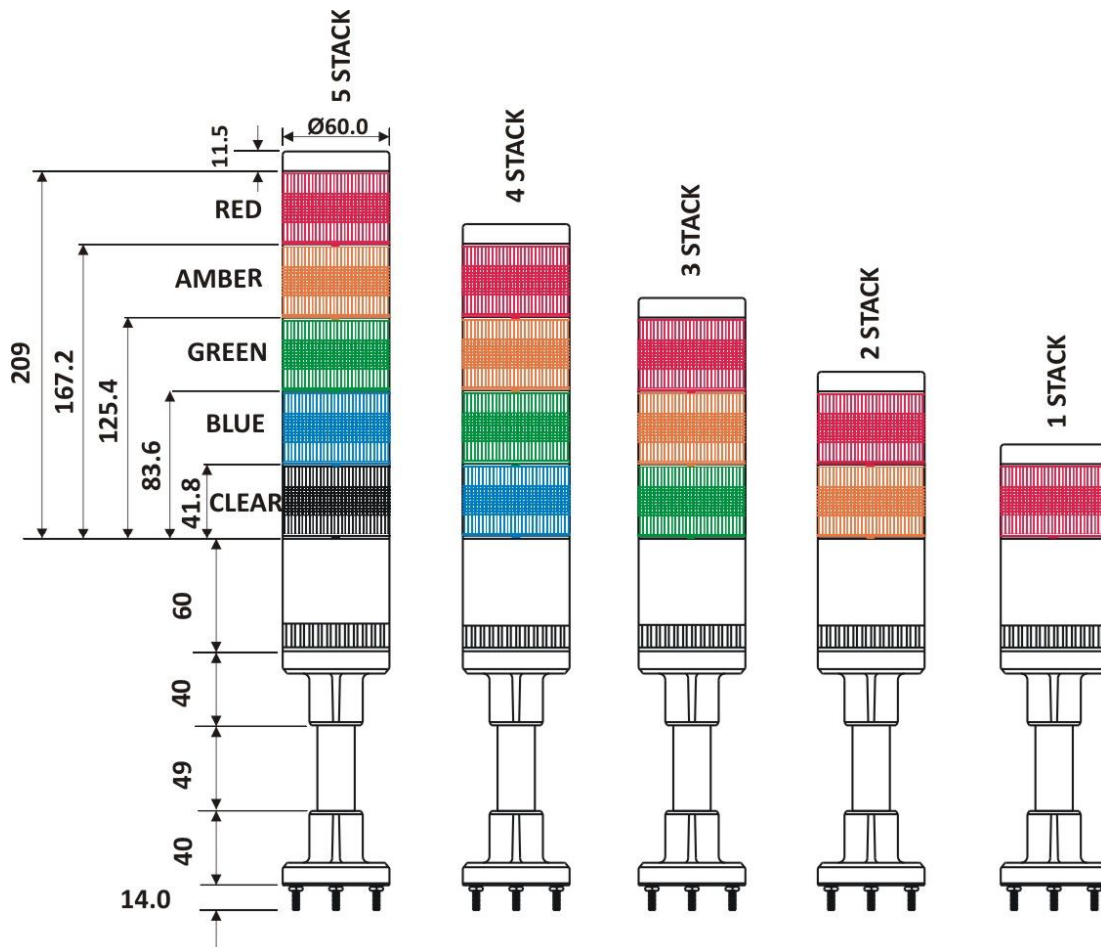


Item No.	TSP0000084D	Date	01.01.2017
		Revision	00
Description	Signal Tower Lamp - 24V AC/DC , Steady/Flashing type with Buzzer, Base Mounting and Wire Termination	Page	1 of 3

All dimensions are in mm.



## DIMENSIONAL DRAWING



Specifications are subject to change without notice.

Item No.	TSP0000084D	Date	01.01.2017
		Revision	00
Description	Signal Tower Lamp - 24V AC/DC , Steady/Flashing type with Buzzer, Base Mounting and Wire Termination	Page	2 of 3

**Table-1**

**24 V AC/DC Signal Tower Lamp**

Lamp Type	No.of Stacks	Stack Colour	Current Consumption	Termination Type	Katlax Article No.
Steady	1	Red	60 mA	Wire	TLBS-R-W1-BZR
Steady	2	Red, Amber	95 mA	Wire	TLBS-RA-W1-BZR
Steady	3	Red, Amber, Green	130 mA	Wire	TLBS-RAG-W1-BZR
Steady	4	Red, Amber, Green, Blue	165 mA	Wire	TLBS-RAGB-W1-BZR
Steady	5	Red, Amber, Green, Blue, Clear	200 mA	Wire	TLBS-RAGBC-W1-BZR
Flashing	1	Red	60 mA	Wire	TLBF-R-W1-BZR
Flashing	2	Red, Amber	95 mA	Wire	TLBF-RA-W1-BZR
Flashing	3	Red, Amber, Green	130 mA	Wire	TLBF-RAG-W1-BZR
Flashing	4	Red, Amber, Green, Blue	165 mA	Wire	TLBF-RAGB-W1-BZR
Flashing	5	Red, Amber, Green, Blue, Clear	200 mA	Wire	TLBF-RAGBC-W1-BZR

**Table-2**

**TECHNICAL SPECIFICATIONS**

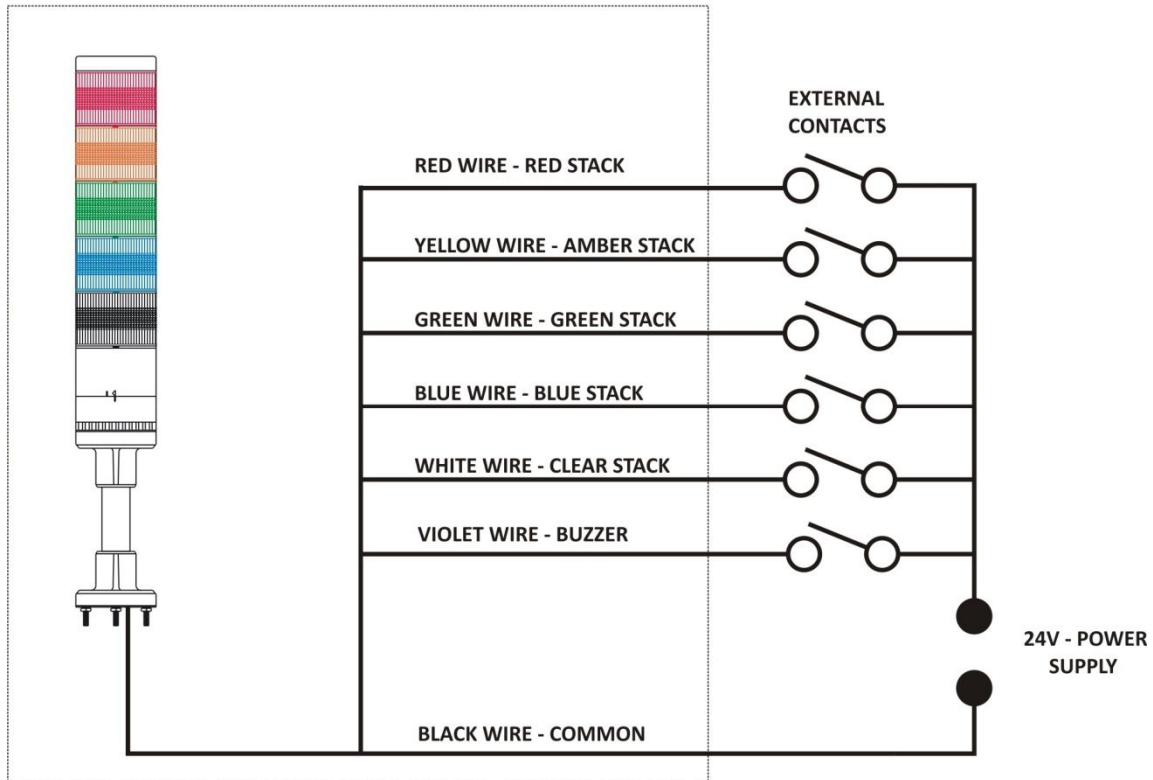
<b>Operating Voltage</b>	24 V DC
<b>Body Colour</b>	Off White
<b>Lamp Type</b>	Steady
<b>Lamp Colour</b>	Red, Amber, Green, Blue, Clear
<b>Termination</b>	Through Wire
<b>Wire Length</b>	250 mm
<b>Mounting</b>	Base / Pedestal
<b>Housing Material</b>	Aluminium
<b>Housing Size</b>	(240, 282, 323, 365, 407)X60 mm
<b>Operating Temperature</b>	0°C....70°C
<b>Environmental Protection</b>	IP65 (Properly Mounted)
<b>Buzzer</b>	90 dB at 30cm (Continuous type)



Specifications are subject to change without notice.

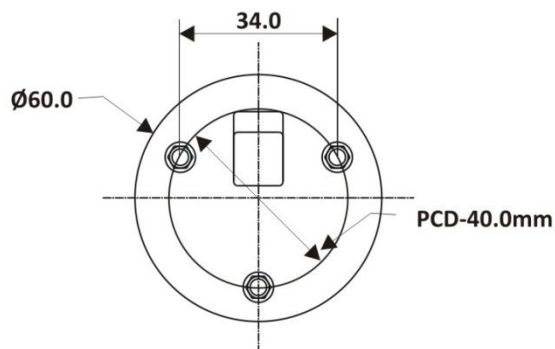
Item No.	TSP0000084D	Date	01.01.2017
		Revision	00
Description	Signal Tower Lamp - 24V AC/DC , Steady/Flashing type with Buzzer, Base Mounting and Wire Termination	Page	3 of 3

### CONNECTION DIAGRAM



STANDARD WIRE LENGTH - 250mm

### MOUNTING DETAILS



Provided with 3 Nos. M4x16mm Bolts and Nuts.

Drill 3 Holes 4.5mm dia at PCD 40.0 mm for fixing.



Specifications are subject to change without notice.